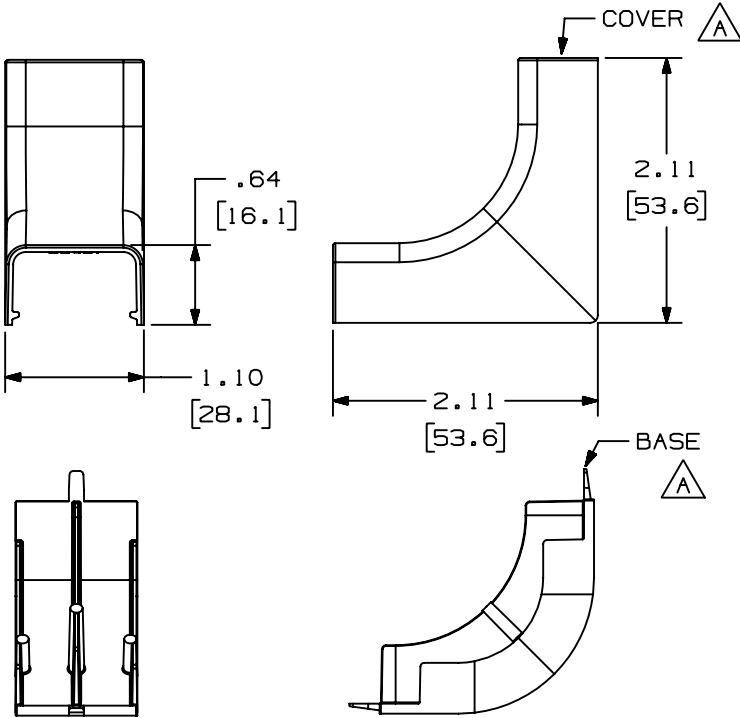
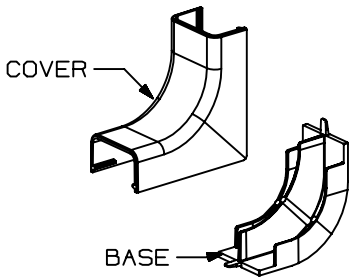


THIS COPY IS PROVIDED ON A RESTRICTED BASIS AND IS NOT TO BE USED IN ANY WAY DETRIMENTAL TO THE INTERESTS OF PANDUIT CORP.

PANDUIT PART NO.	WEIGHT
ICFX5	3.6 LB/100 PCS (1624 g/100 PCS)



- NOTES:
- SEE CURRENT CATALOG FOR ADDITIONAL PART NUMBER SUFFIXES TO INDICATE COLOR AND OR PACKAGE QUANTITY.
 - THIS PRODUCT IS INTENDED TO BE USED WITH PANDUIT TYPE LD5 AND LDP5 RACEWAYS.
 - NOMINAL WALL THICKNESSES:
BASE = .080 [2.0]
COVER = .055 [1.4]
 - THIS PRODUCT IS FEATURED WITH THE TIA/EIA COMPLIANT BEND RADIUS.
 - DIMENSIONS IN PARENTHESIS ARE IN METRIC.



CAD FILENAME/LAYERS D35012BF_LD_ICFX5_02.PRT

PANDUIT CORP. TINLEY PARK, ILLINOIS
INSIDE CORNER FITTING BASE AND COVER (ICFX5)
CUSTOMER DRAWING

UNLESS OTHERWISE SPECIFIED, DIMENSIONAL TOLERANCES ARE:
(.X) ± (.XXX) ±.015 [.4]
(.XX) ±.03 [.8] ANGLES ±

UNLESS OTHERWISE SPECIFIED, ALL DIMENSIONS ARE GIVEN IN INCHES, THIRD ANGLE PROJECTION.

REV	DATE	BY	CHK	DESCRIPTION	ECN	CHK	CUST	SUP
2	03-15-04	JHEP	RGRO	C. REMOVED CD5 FROM NOTE 2	35012-06	RGRO	RGRO	
1	04-06-99	DW	HIW	B. NOTE 2 WAS LD2P5 RACEWAYS. A. REVISED PICTURES.	35012-06	HIW	HIW	
R	12-04-95	DW	CEF	RELEASED TO PRODUCTION	35012-06	CEF	CEF	

DRAWN BY DW	MAT'L: PVC	SCALE NONE
DATE 11-13-95		DRAWING NO. 35012-06
CHECKED BY CEF		DWG A SIZE